

PRODUCT NAME

SF19DB(E)

EDITION

Rev. No

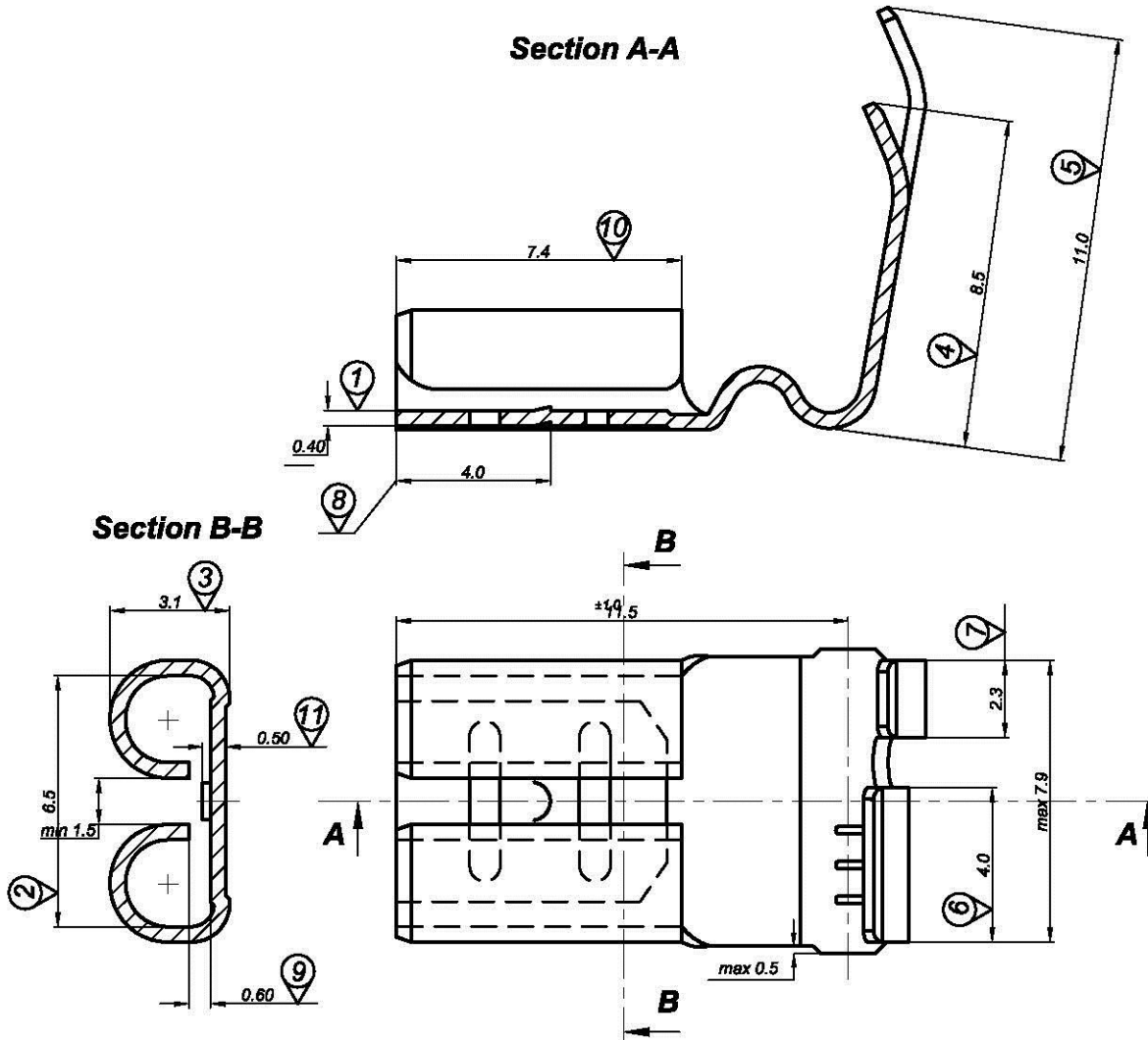
EXPLANATION

DATE

1 The drawing has been revised. 05.10.2009

A

PLEASE DO NOT MEASURE THE DIMENSIONS FROM THE DRAWING.



CABLE CROSS SECTION : 1-2.5 mm²
SOURCE STANDARD: DIN 46346 B

NOTE: FOR CODES OF COATED PRODUCTS PLEASE
LOOK IN THE CHARACTERISTICS NO:S05.017.

NO	MEASUREMENT DEVICE	MAX. VALUE	MIN. VALUE
1	MICROMETER	0.42	0.38
2	CALIPER	6.90	6.50
3	CALIPER	3.50	2.70
4	CALIPER	9.00	8.00
5	CALIPER	11.50	10.50
6	CALIPER	4.40	3.60
7	CALIPER	2.80	1.80
8	CALIPER	4.00	3.70
9	FEELER BLADE	0.65	0.55
10	CALIPER	7.90	7.40
11	CALIPER	0.53	0.47

DISTRIBUTION

01 ()						
02 ()						
03 ()						
04 ()	PART CODE	MATERIAL	STANDARD	COATING THICKNESS		
08 ()	0500104073	DC	TS EN 10139	Sn	Ag	Ni
09 ()	DRAWN BY	T.ALTUNTAŞ	SIGNATURE	DATE	24.11.1999	Part Code No
10 ()	CONFIRMATION	Ü.ALTUNTAŞ	SIGNATURE	DATE	24.11.1999	Drawing No

Part Code No **0500104073**
Drawing No **5.50.0.1.04.073**